

# Wall Cladding with Secret Fixings for Interior Applications

## WC1 – Double Folded Trays with GA Ver T Fix System

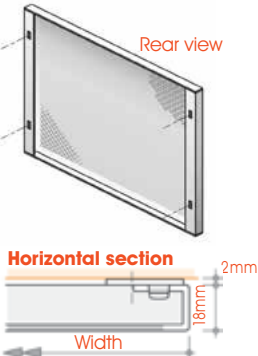
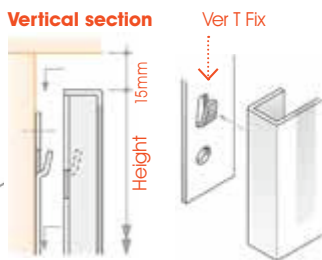
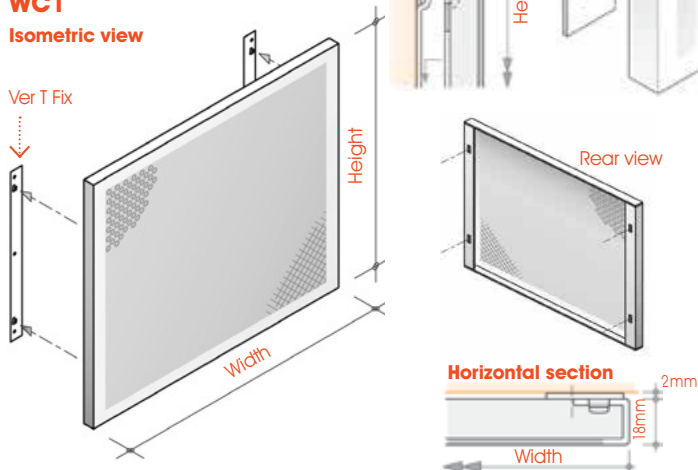
Made to Measure Panels: It's so easy, you only need to provide the order checklist information and we'll do the rest!

### Order checklist

- Product ref – WC1
- Panel sizes – Max 2400mm x 1150mm (18mm o/a return unless otherwise specified)
- GA sheet code or special pattern details – 2mm thickness
- Plain border margin dimensions (if not minimal)
- Number of panels
- Surface finish – Anodised, satin brushed, powder coated, mill



### WC1 Isometric view



New offices, Peterborough: GA Ver T Fix

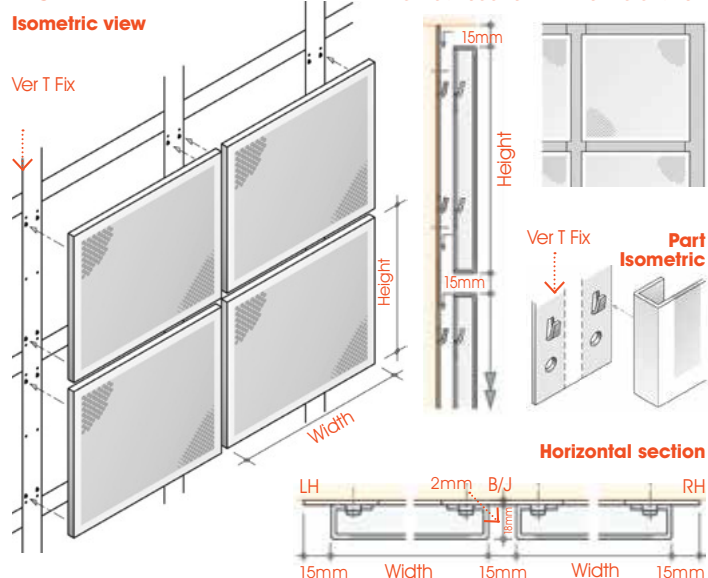
## WC2 – Double Folded Trays with GA Ver T Fix & Shadow Gap

Made to Measure Panels: It's so easy, you only need to provide the order checklist information and we'll do the rest!

### Order checklist

- Product ref – WC2
- Panel sizes – Max 2400mm x 1150mm (18mm o/a return unless otherwise specified)
- GA sheet code or special pattern details – 2mm thickness
- Plain border margin dimensions (if not minimal)
- Number of panels
- Surface finish for panels and Ver T Fix (if different) – Anodised, satin brushed, powder coated, mill

### WC2



GA Ver T Fix:	Independent test results
Wind Load Positive Pressure	FP* = 3.23kPa (equates to wind speed of 162mph)
Wind Load Negative Pressure	FP* = 0.65kPa (equates to wind speed of 72mph)

The above results show Ver T Fix performance levels comfortably exceeding any internal air pressures that are likely to be encountered in buildings. Refer to [www.goodingalum.com](http://www.goodingalum.com) for details. FP\* = Failure pressure

Telewest, Woking



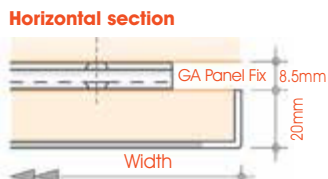
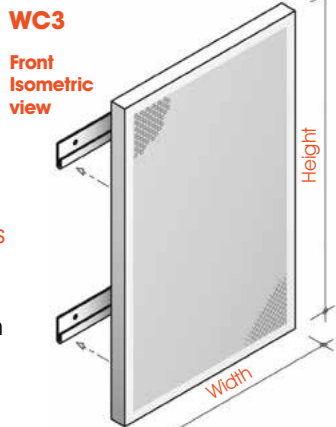
Call the GA Helpline and discuss your requirements  
**GA Helpline 020 8692 2255**  
[www.goodingalum.com](http://www.goodingalum.com)

## Wall Cladding with Secret Fixings for Interior Applications – WC3 – Single Folded Trays with GA Panel-Fix

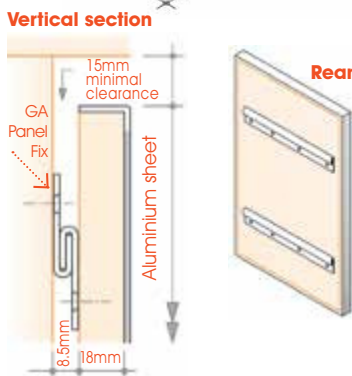
Made to Measure Panels: It's so easy, you only need to provide the order checklist information and we'll do the rest!

### Order checklist

- Product ref – WC3
- Panel sizes – max 2450mm x 1200mm (18mm i/s return unless otherwise specified)
- GA sheet code or special pattern details
- Plain border margin dimensions if Patterned sheet range
- Number of panels
- Surface finish – Anodised, satin brushed, powder coated, mill
- Number of GA WP1 horizontal fixing pairs – minimum 2



Board supplied & fitted by others



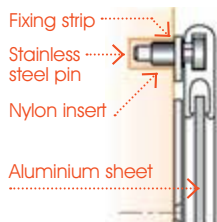
## WC4 – Panels with GA Posi-Grip Instant Access Framing

Made to Measure Panels: It's so easy, you only need to provide the order checklist information and we'll do the rest!

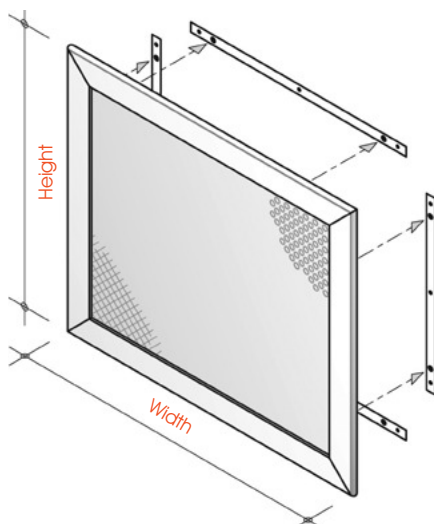
### Order checklist

- Product ref – WC4
- GA Posi-Grip code
- Panel sizes, height and width
- GA sheet code or special pattern details
- Number of panels
- Surface finish – Anodised, satin brushed, powder coated, mill

### Vertical section



Rear



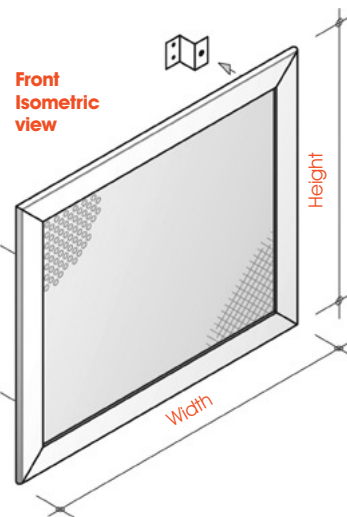
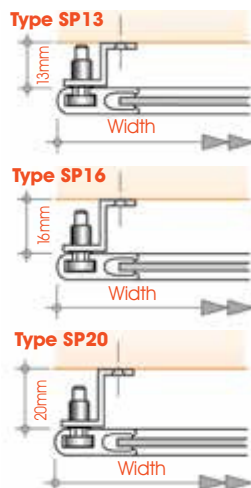
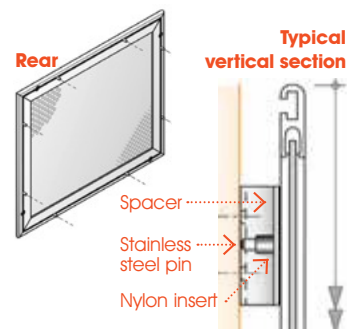
Carlisle Street Lobby: GA Impressional Wall Cladding

## WC5 – Panels with GA Posi-Grip Instant Access Framing and Spacers

Made to Measure Panels: It's so easy, you only need to provide the order checklist information and we'll do the rest!

### Order checklist

- Product ref – WC5
- GA Posi-Grip code
- GA sheet code or special pattern details
- Panel sizes, height & width
- Number of panels
- Surface finish – Anodised, satin brushed, powder coated, mill
- Spacer code – SP13, SP16 or SP20



### GA Posi-Grip Instant Access:

Wind Load Positive Pressure

### Independent test results

FP\* = 15.00kPa  
(equates to wind speed of 350mph)

Wind Load Negative Pressure

FP\* = 1.48kPa  
(equates to wind speed of 107mph)

The above results show Posi-Grip Instant Access performance levels comfortably exceeding any internal air pressures that are likely to be encountered in buildings. Refer to [www.goodingalum.com](http://www.goodingalum.com) for details. FP\* = Failure pressure