

## GA Complete Shuffle-less Glazing System

**new**

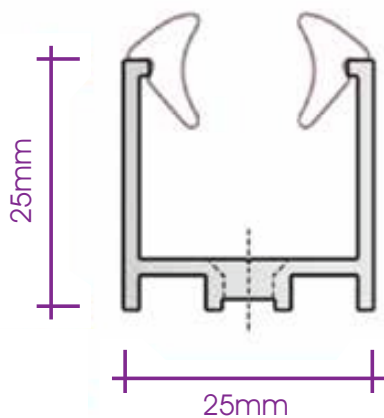
These pre-finished glazing channels can be ordered online today for prompt dispatch. Our New Shuffle-less Glazing system (for 10, 11 or 12mm glass) does away with the need for a longer head channel!

With an ingenious 2 part floor channel, glass panels are simply located into position without the need for vertical lifting. Natural Anodised (SA) & White Powder Coated (PCW) finishes are available from stock

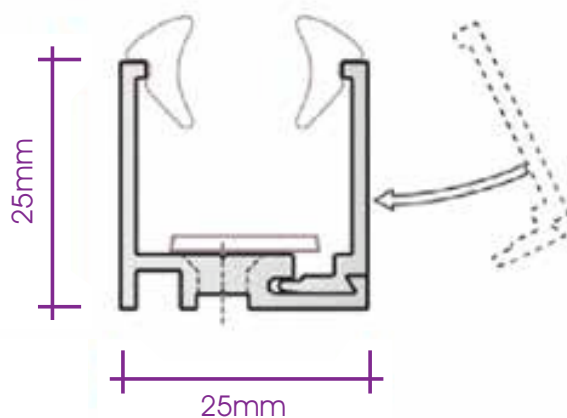
A newly introduced door hanging option (Pivot Pin Kit) is now available.

### Features – Benefits

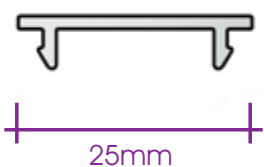
- **Complete framing system** – Accepts 10, 11 or 12mm glass
- **Pivot Pin Kit** – Enables easy door hanging
- **Surface finished and csk. drilled** – Ready to fit
- **Natural anodised or White Powder Coated** – Immediate availability
- **Extruded aluminium alloy** – Tough and resilient
- **Translucent glazing wedge** – UV stable anti microbial-
- **Plastic setting blocks** – Added glass edge protection
- **3 metre lengths** – Easy transportation and installation



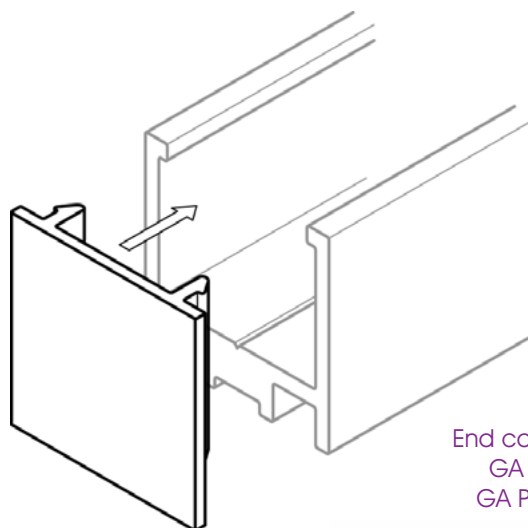
GA SA1031  
GA PCW1031



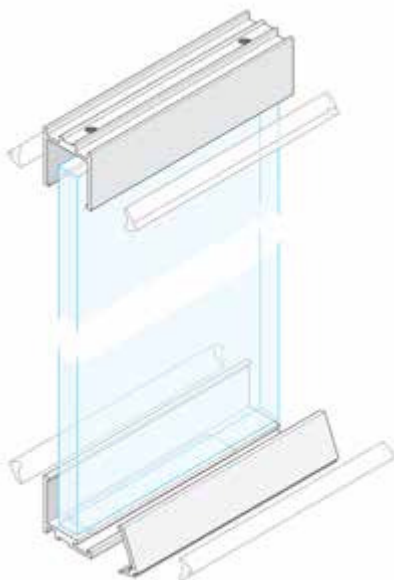
GA SA1035  
GA PCW1035



Cover plate:  
GA SA1036  
GA PCW1036



End cap (25mm):  
GA SA1037  
GA PCW1037

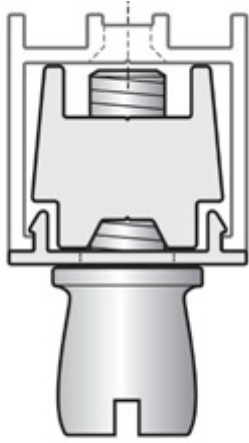


**new**

Order online @  
[www.goodingalum.com](http://www.goodingalum.com)

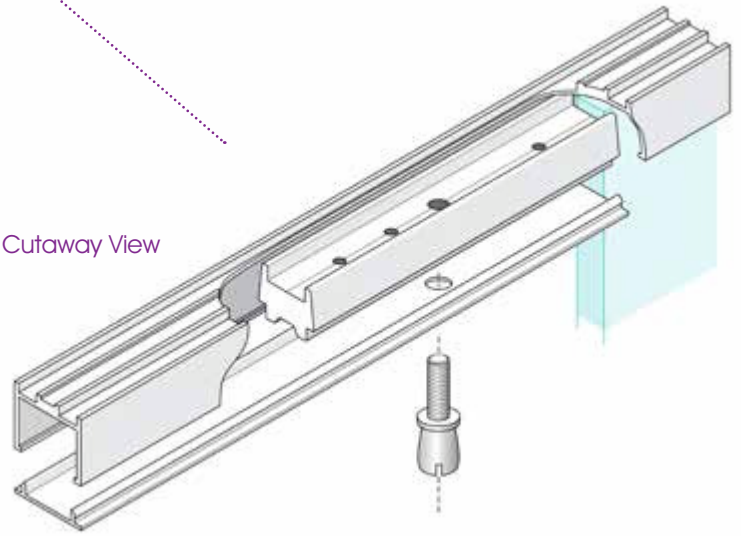
Information Hotline **020 8692 2255**

Door Pivot kit

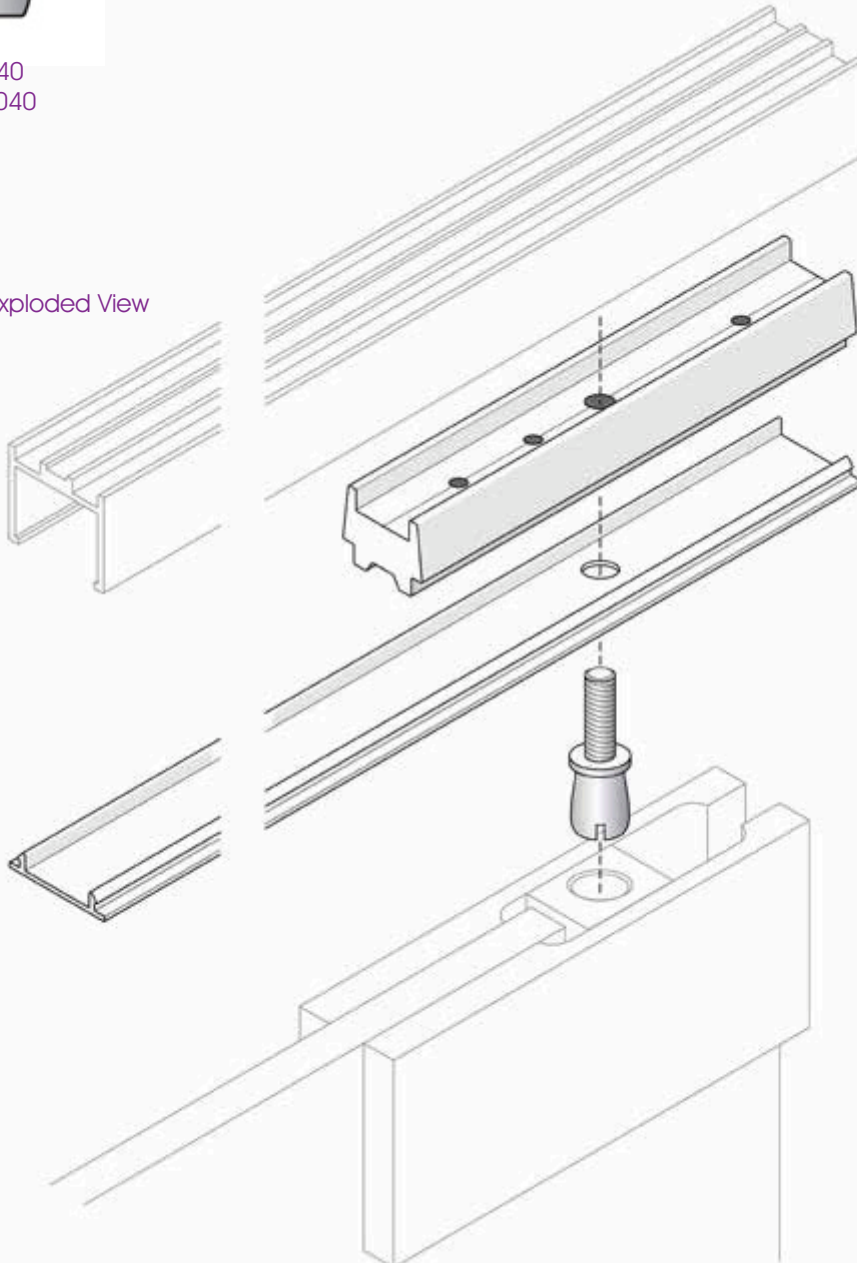


GA SA1040  
GA PCW1040

Cutaway View



Exploded View



## GA Complete Shuffle Glazing System

**new**

All these aluminium profiles are available from stock, in a white powder coated or a natural anodised finish.

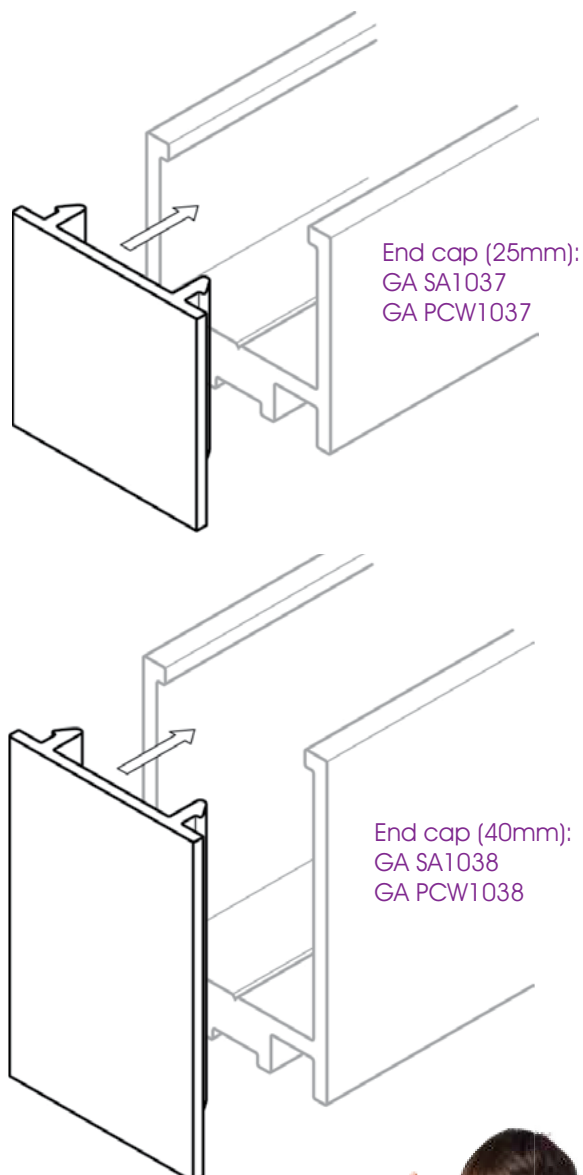
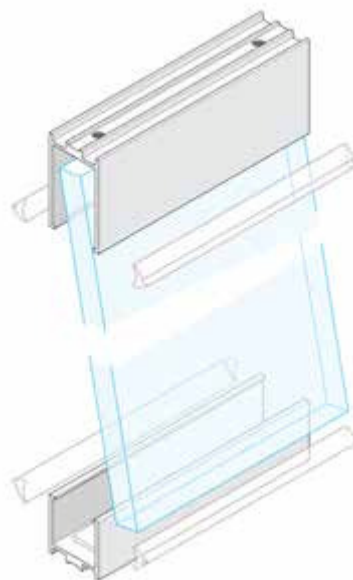
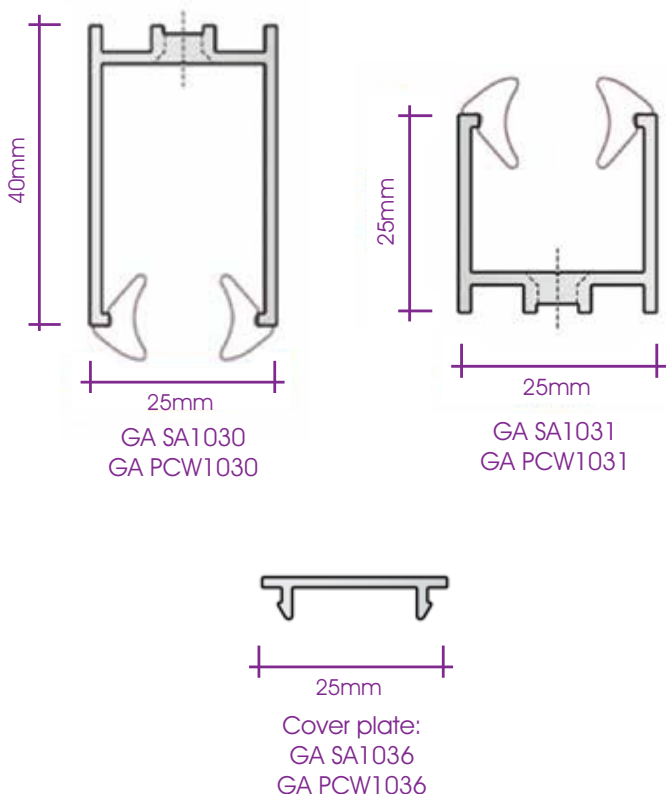
The cleverly designed adjustable glazing wedge has removable strips which provide for the fitting of 10, 11 or 12mm glass.

Natural Anodised (SA) & White Powder Coated (PCW) finishes are available from stock.

### Features – Benefits

- Complete framing system – Accepts 10, 11 or 12mm glass
- Surface finished & csk. drilled – Ready to fit
- Natural anodised or white powder coated – Immediate availability
- Extruded aluminium alloy – Tough and resilient
- Csk. fixing holes – Rapid installation
- Extruded aluminium alloy – Tough and resilient
- Translucent glazing wedge – UV stable and anti-microbial
- Plastic setting blocks – Added glass edge protection
- 3 metre lengths – Easy transportation and installation

These glazing channels are available in either anodised (SA) or white powder coated (PCW) finishes.



“ Thank you for having in place a very user friendly web site... I look forward to receiving a copy of your latest brochure ”

Scott Waldon, Peter Wood & Partners, Architects

Order on-line at [www.godingalum.com](http://www.godingalum.com)

Call the GA Helpline and discuss your requirements  
Monday-Friday / 8.30am-5.00pm

GA Helpline **020 8692 2255**

**new**