

Bar and Counter Cladding with Secret Fixings for Interior Applications

BC1 – Double Folded Trays with GA Ver T Fix System

Made to Measure Panels: It's so easy, you only need to provide the order checklist information and we'll do the rest!

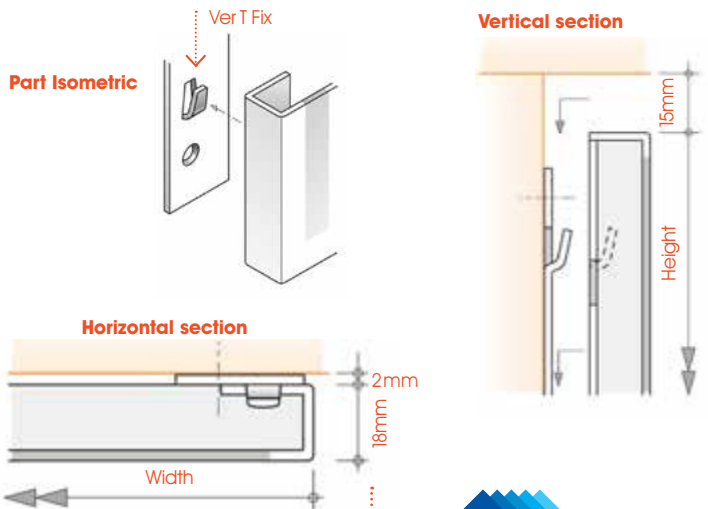
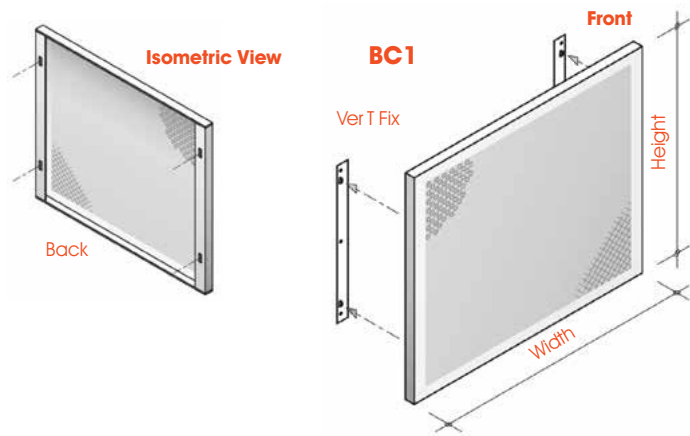
Order checklist

Please provide the following information:

- Product ref – BC1
- Panel sizes – Height and width (18mm o/a return unless otherwise specified)
- GA sheet code or special pattern details (2mm thick material)
- Plain border margin dimensions (If not minimal)
- Number of panels
- Surface finish for panels and Ver T Fix (if different) – Anodised, satin brushed, powder coated, mill



Wagamama



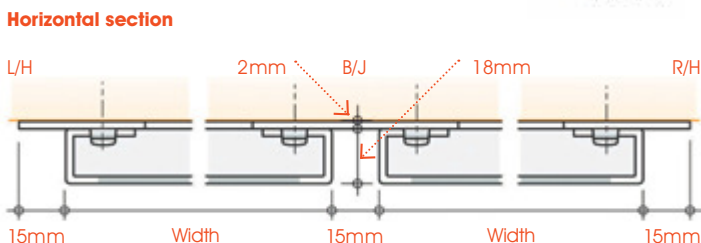
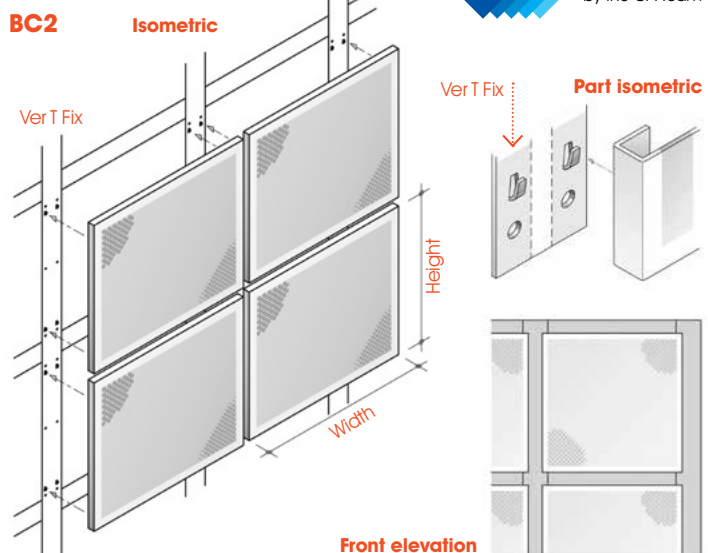
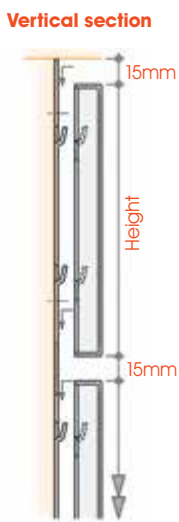
BC2 – Double Folded Trays with GA Ver T Fix System & Shadow Gaps

Made to Measure Panels: It's so easy, you only need to provide the order checklist information and we'll do the rest!

Order checklist

Please provide the following information:

- Product ref – BC2
- Panel sizes – Height and width (18mm o/a return unless otherwise specified)
- GA sheet code or special pattern details (2mm thick material)
- Plain border margin dimensions (If not minimal)
- Number of panels
- Surface finish for panels and Ver T Fix (if different) – Anodised, satin brushed, powder coated, mill



GA Ver T Fix:	Independent test results
Wind Load Positive Pressure	FP* = 3.23kPa (equates to wind speed of 162mph)
Wind Load Negative Pressure	FP* = 0.65kPa (equates to wind speed of 72mph)

The above results show Ver T Fix performance levels comfortably exceeding any internal air pressures that are likely to be encountered in buildings. Refer to www.goodingaluminium.com for details. FP* = Failure pressure

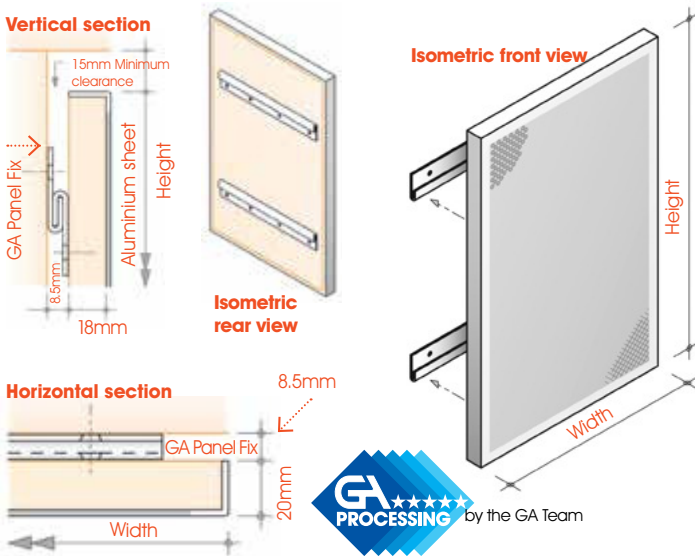
BC3 – Single Folded Trays with GA Panel-Fix

Made to Measure Panels: It's so easy, you only need to provide the order checklist information and we'll do the rest!

Order checklist

Please provide the following information:

- Product ref – BC3
- Panel sizes – Max 2450mm x 1200mm (18mm i/s return unless otherwise specified)
- GA sheet code or special pattern details
- Plain border margin dimensions (if Patterned sheet)
- Number of panels
- Surface finish – Anodised, satin brushed, powder coated, mill
- Number of GA WP1 horizontal fixing pairs – (minimum 2)



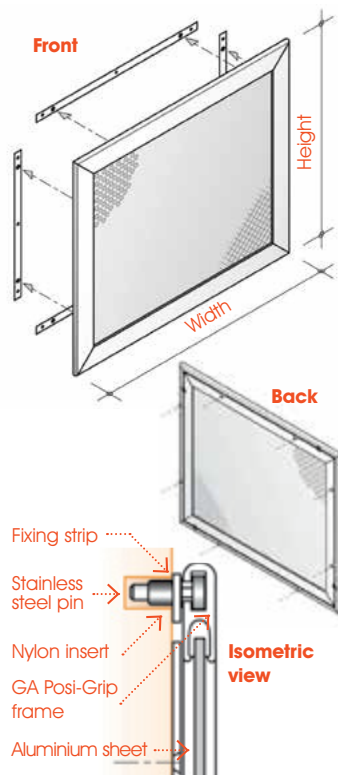
BC4 – Panels with GA Posi-Grip Instant Access Framing

Made to Measure Panels: It's so easy, you only need to provide the order checklist information and we'll do the rest!

Order checklist

Please provide the following information:

- Product ref – BC4
- GA Posi Grip code
- Panel sizes – Height and width
- GA sheet code or special pattern details
- Number of panels
- Surface finish – Anodised, satin brushed, powder coated, mill



Call the GA Helpline
Monday-Friday 8.30am-5.00pm
020 8692 2255
www.goodingalum.com



Ironbridge Museum, Shropshire: GA Posi-Grip Instant Access

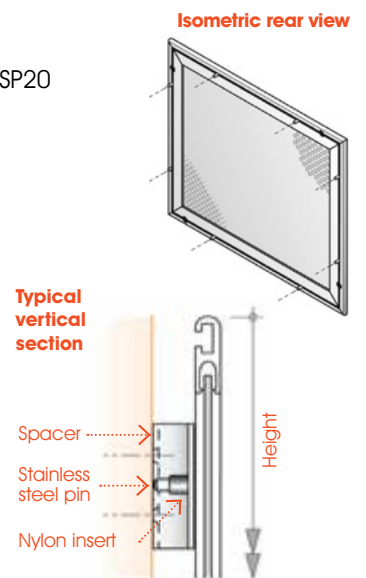
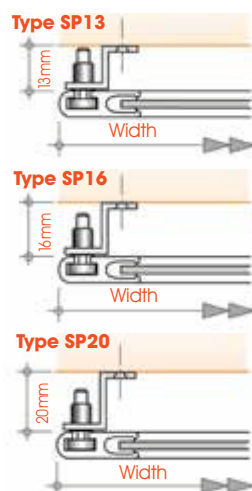
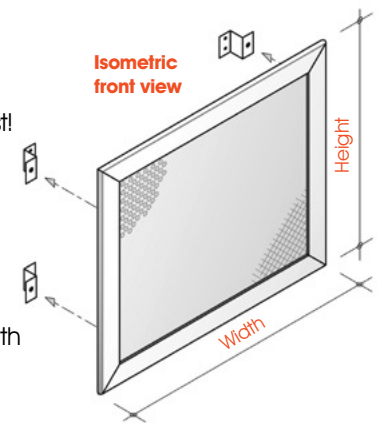
BC5 – Panels with GA Posi-Grip Instant Access Framing and Spacers

Made to Measure Panels: It's so easy, you only need to provide the order checklist information and we'll do the rest!

Order checklist

Please provide the following information:

- Product ref – BC5
- GA Posi-Grip code
- Panel sizes – Height and width
- GA sheet code or special pattern details
- Number of panels
- Surface finish – Anodised, satin brushed, powder coated, mill
- Spacer code – SP13, SP16 or SP20



GA Posi-Grip Instant Access:	Independent test results
Wind Load Positive Pressure	FP* = 15.00kPa (equates to wind speed of 350mph)
Wind Load Negative Pressure	FP* = 1.48kPa (equates to wind speed of 107mph)

The above results show Posi-Grip Instant Access performance levels comfortably exceeding any internal air pressures that are likely to be encountered in buildings. Refer to www.goodingalum.com for details. FP* = Failure pressure