

Architectural Profiles - Slotting in nicely

These architectural channels are so useful for framing and edging glass, as well as other building materials.

Features – Benefits

- Mill from stock – Immediate availability
- Grade 6063T5 – Suitable for anodising
- 4 metre lengths – Easy handling
- Samples service – Good for sizing

Aluminium Channel (misc shapes)

These aluminium channels are available from stock in either mill, or a natural anodised surface finish; architectural grade 6063T5 in 4 metre lengths.

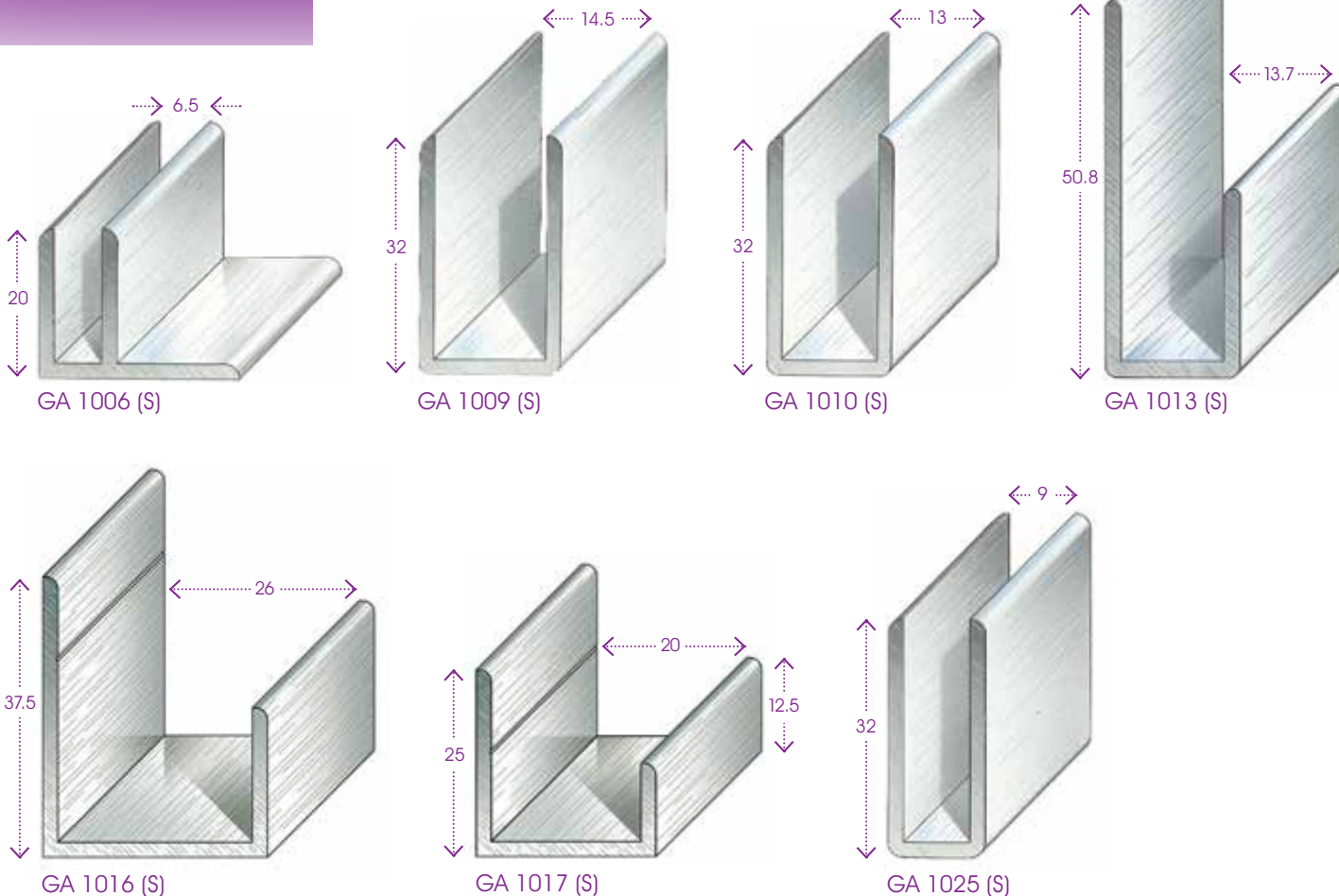
Should you require a powder coated finish please contact us with your enquiry.

You can order these aluminium alloy profiles online today for prompt dispatch and free delivery.



Grosvenor Casino, Stoke on Trent: GA 1112 Powder coated

*** (S)**
 (S) suffix indicates Anodised option. If mill finish is required please specify the code reference without the (s) suffix.

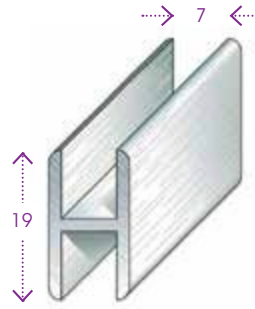


Aluminium H Shape Profile

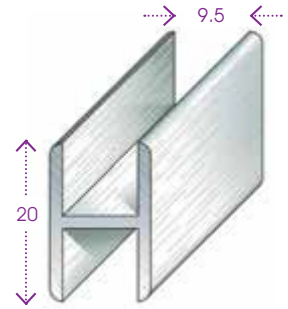
Our aluminium H shaped profiles are available in either mill, or a natural anodised surface finish; architectural grade 6063T5 in 4 metre lengths.

Should you require a powder coated finish please contact us with your enquiry.

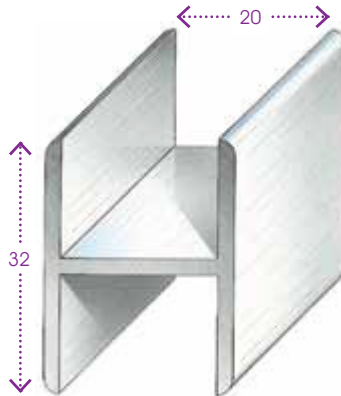
You can order these aluminium alloy profiles online today for prompt dispatch and free delivery.



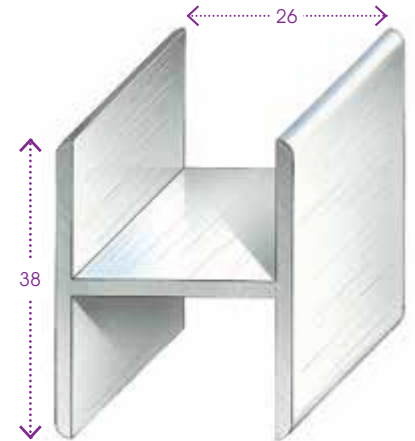
GA 1000 (S)



GA 1001 (S)



GA 1002 (S)



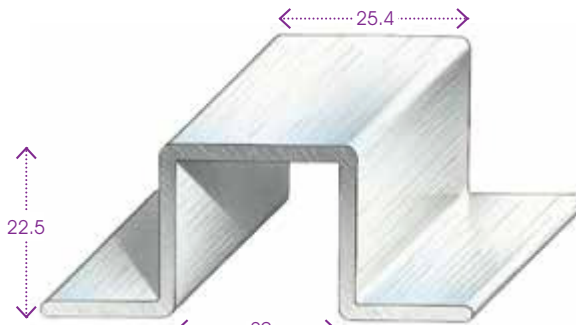
GA 1003 (S)

Aluminium Top Hat Shape Profile

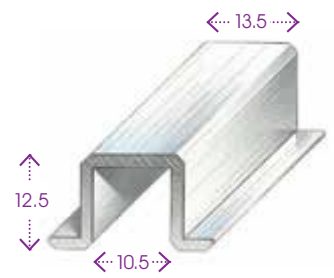
Our aluminium top hat profiles are available in either mill, or a natural anodised surface finish; architectural grade 6063T5 in 4 metre lengths.

Should you require a powder coated finish please contact us with your enquiry.

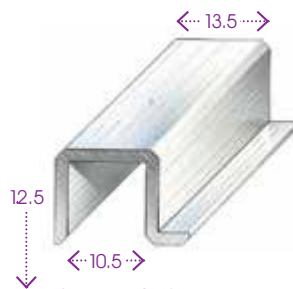
You can order these aluminium alloy profiles online today for prompt dispatch and free delivery.



GA 1101 (S)



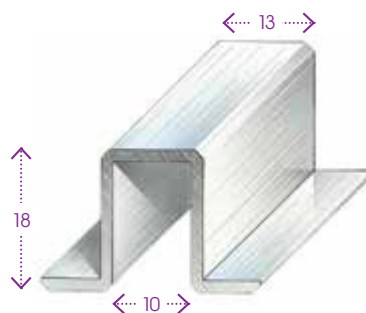
GA 1109 (S)



GA 1110 (S)



GA 1112



GA 1113



GA 1114

*** (s)**

(S) suffix indicates Anodised option. If mill finish is required please specify the code reference without the (s) suffix.

new

Order on-line at
www.goodingalum.com

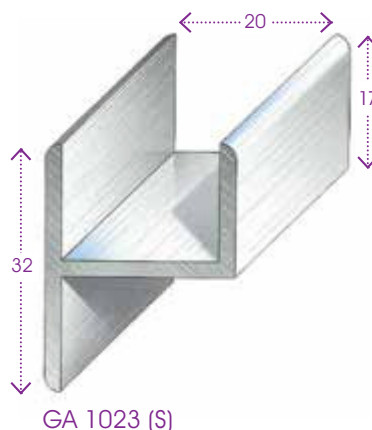
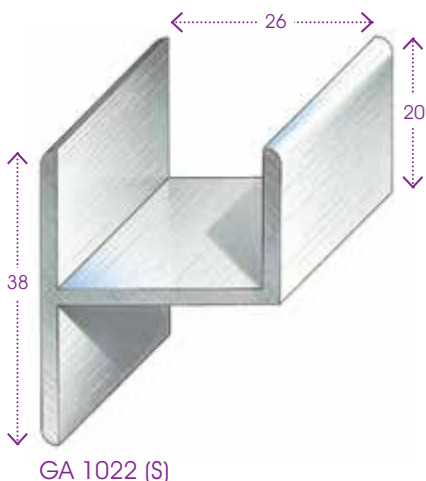
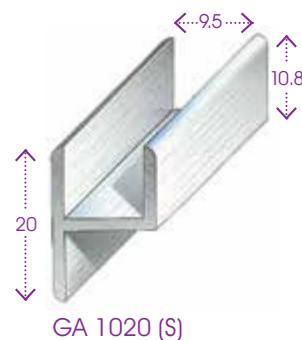
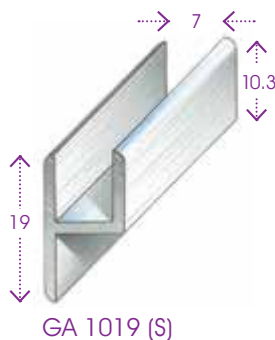
GA Helpline
020 8692 2255

Aluminium Y Shape Profile

Our aluminium Y shaped profiles are available in either mill, or a natural anodised surface finish; architectural grade 6063T5 in 4 metre lengths.

Should you require a powder coated finish please contact us with your enquiry.

You can order these aluminium alloy profiles online today for prompt dispatch and free delivery.

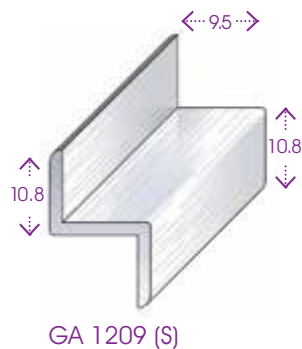
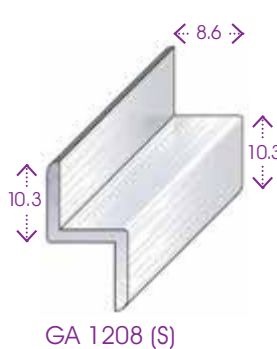


Aluminium Z Shape Profile

Our aluminium Z shaped profiles are available in either mill, or a natural anodised surface finish; architectural grade 6063T5 in 4 metre lengths.

Should you require a powder coated finish please contact us with your enquiry.

You can order these aluminium alloy profiles online today for prompt dispatch and free delivery.



*** (s)**
 (S) suffix indicates Anodised option. If mill finish is required please specify the code reference without the (s) suffix.

new

Order on-line at
www.goodingalum.com

GA Helpline
020 8692 2255

“ Thank you for having in place a very user friendly web site... I look forward to receiving a copy of your latest brochure ”

Scott Waldon, Peter Wood & Partners, Architects

Aluminium Moulding Profile

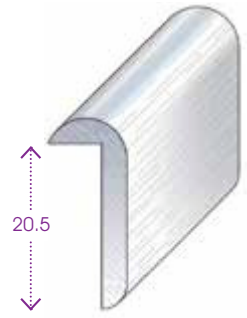
Our aluminium moulding profiles are available in either mill, or a natural anodised surface finish; architectural grade 6063T5 in 4 metre lengths.

Should you require a powder coated finish please contact us with your enquiry.

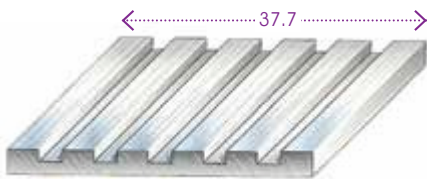
You can order these aluminium alloy profiles online today for prompt dispatch and free delivery.



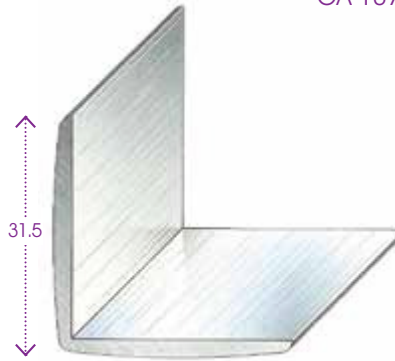
GA 1371 (S)



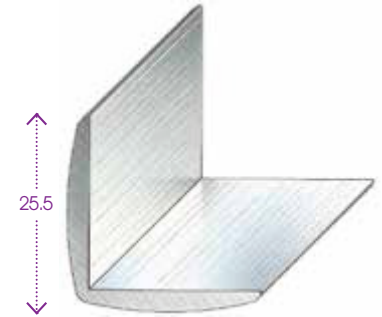
GA 1372 (S)



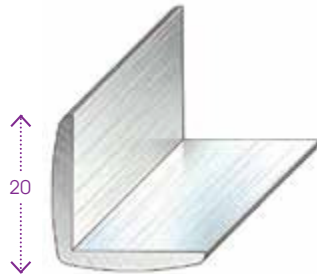
GA 1373 (S)



GA 1375 (S)



GA 1376 (S)



GA 1377 (S)

* (s)

(S) suffix indicates Ano-Sil anodised option. If mill finish is required please specify the code reference without the (s) suffix.